

Dongguan Yaxun Electronic Hardware Product Co., Ltd.

Tutang Industrial Zone, Changping, Dongguan, Guangdong, China (Mainland)

TEL: 0769-83811196 Phone: +86 13827205356

<http://www.bimetalfuse.com>

yaxun8@126.com

SPECIFICATION FOR APPROVAL

KSD301, KSD302, KSD303 Series Thermostat

Applications

- (1) sterilizer,
- (2) dishwasher,
- (3) dryer,
- (4) microwave,
- (5) drinking fountains,
- (6) electric kettle,
- (7) office equipment,
- (8) coffee maker,
- (9) sandwich toaster,
- (10) car seat heaters, automobile antifreeze, electric cooker, refrigerator, air conditioner, laminator and other electric appliances.

● KSD301, KSD302, KSD303 series thermostat technical parameters

- (1) electrical parameters: 1) CQC, CE, VDE, UL, CUL AC250V 50 ~ 60Hz 5A / 10A / 16A (resistive load)
- 2) UL AC125V 50Hz 16A (resistive load),

Temperature Performance

Normally closed, operating temperature: $120 \pm 5^{\circ}\text{C}$; Reset temperature: ON: 85 ± 5 .

- (2) operating temperature range: 0-230 °C (optional), temperature accuracy: $\pm 2 \pm 3 \pm 5 \pm 10^{\circ}\text{C}$
- (3) reply and action temperature difference: 8 ~ 100 °C (optional)
- (4) Connection: plug terminals 250 # (bend 0 ~ 90 ° optional); plug terminals 187 # (bend 0 ~ 90 ° optional thickness 0.5, 0.8mm optional)
- (5) life: $\geq 100,000$ times
- (6) electrical strength: AC 50Hz 1800V lasted 1min, no flicker, no breakdown
- (7) contact resistance: $\leq 50\text{m}\Omega$
- (8) Insulation resistance: $\geq 100\text{M}\Omega$
- (9) Contact form: Normally closed type: temperature rise, contacts open, the temperature drops, contact connected;

Normally open type: temperature rise, contact connected, the temperature drops, the contact is open

- (10) shell protection grade: IP00

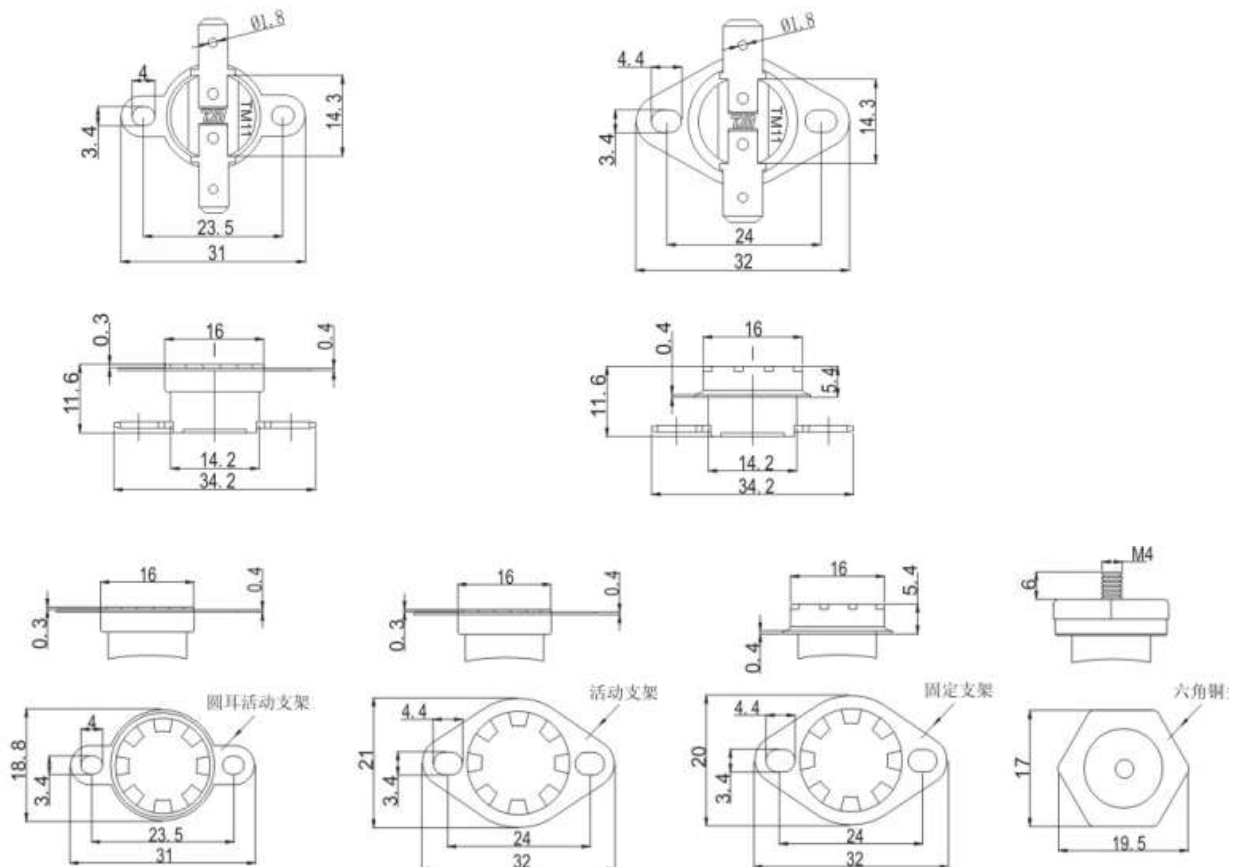
Installation: KSD301 Series Installation ordinary activities ring, ring install small round activities, installation of flat panel active ring, ordinary large aluminum cover with mounting holes, with mounting holes lengthened aluminum cover.

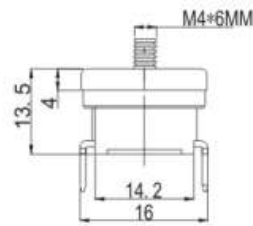
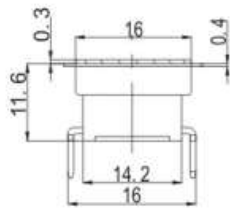
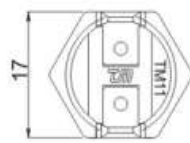
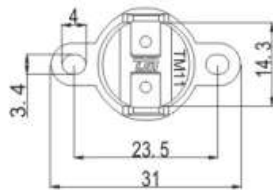
●KSD301, KSD302, KSD303 series thermostat competitive advantage

- (1) stable performance
- (2) high precision
- (3) small size, light weight
- (4) high reliability, long life
- (5) dry worries small radio
- (6) no arc

●KSD301, KSD302, KSD303 series thermostat Notice

- (1) grounding: The thermostat metal cover metal parts connected to the equipment grounding.
- (2) when using contact temperature installation should be charged with snapping the metal to cover up the installation of surface equipment, to ensure that the temperature effect, should be coated with thermal grease or other properties like heat transfer medium in surface temperature.
- (3) not install when the top cover surface collapsed, loose or deformed, so as not to affect performance.
- (4) not allow liquid to penetrate the internal temperature, not cause the shell cracks, not free to change the shape of the external terminals.
- (5) product in less than 5A current of the circuit used, should be selected cross-section of 0.5-1 mm² copper wires; not more than 10A current in the circuit, chose the copper wires cross-section 0.75-1.5 mm².
- (6) product should be less than 90% relative humidity, ambient temperature below 40 °C ventilated, clean, dry, non-corrosive gases stored in the warehouse.
- (7) use can not bend the terminals, otherwise it will affect the reliability of the electrical connections.





KSD301 OPEN TEMP&RESET TEMP

CODE	OPEN TEMP	RESET TEMP	CODE	OPEN TEMP	RESET TEMP
45	45±5° C	≥33° C	140	140±5° C	100±15° C
50	50±5° C	≥35° C	145	145±5° C	100±15° C
55	55±5° C	42±6° C	150	150±5° C	105±15° C
60	60±5° C	45±8° C	155	155±5° C	110±15° C
65	65±5° C	48±10° C	160	160±5° C	115±15° C
70	70±5° C	50±12° C	165	165±5° C	120±15° C
75	75±5° C	53±14° C	170	170±5° C	155±5° C
80	80±5° C	55±15° C	175	175±5° C	130±15° C
85	85±5° C	60±15° C	180	180±5° C	135±15° C
90	90±5° C	65±15° C	185	185±5° C	140±15° C
95	95±5° C	70±15° C	190	190±5° C	145±15° C
100	100±5° C	70±15° C	195	195±5° C	150±15° C
105	105±5° C	75±15° C	200	200±5° C	155±15° C
110	110±5° C	75±15° C	205	205±5° C	160±15° C
115	115±5° C	80±15° C	210	210±5° C	165±15° C
120	120±5° C	85±15° C	215	215±5° C	170±15° C
125	125±5° C	85±15° C	220	220±5° C	175±15° C
130	130±5° C	90±15° C	225	225±5° C	180±15° C
135	135±5° C	95±15° C	230	230±5° C	185±15° C

*Different temperature control methods can be customized according to customer requirements